

## 48V / 51.2V



### RACK MOUNTED LI-ION BATTERY (LONG LIFE)



#### SAFETY

- + Prismatic LFePO4 cells, Longer cycle life and much more safety.
- + Low voltage system, safety for application.
- + IEC62133, UL, UN38.3 certification for cell.
- + UN38.3, CE certification for system.

#### DESIGN

- + Standard 19" rack design.
- + Flexible and easily installation.
- + -20~+55°C widely temperature range.
- + Maintenance free.

#### SCALABILITY

- + Parallel support for more energy.
- + Optional accessories for Anti-theft, remote monitoring purpose.

#### BATTERY MANAGEMENT SYSTEM (BMS)

- + Independent protection for charge and discharge.
- + SOC, SOH display and PC software for detailed operation.
- + OVP, LVP, OCP, OTP, LTP protection.
- + RS232, RS485, CAN communication port.

For more information, contact with: [sales@ritarpower.com](mailto:sales@ritarpower.com)

# 51.2V

## RACK MOUNTED LI-ION BATTERY

### Specification

| Model                        | R-LFP48V50Ah  | R-LFP48V100Ah | R-LFP48V150Ah           | R-LFP48V200Ah              |
|------------------------------|---|---------------|-------------------------|----------------------------|
| Part Number                  | 8110512005001   | 8110512010001 | 8110512015001           | 8110512020001              |
| Nominal voltage [V]          | 51.2  |               |                         |                            |
| Nominal capacity [Ah]        | 50  | 100           | 150                     | 200                        |
| Total energy [KWh]           | 2.56  | 5.12          | 7.68                    | 10.24                      |
| Max. charging current [A]    | 50  | 100           | 100                     | 100                        |
| Charging voltage [V]         | 55.2~58.4   |               |                         |                            |
| Max. discharging current [A] | 50  | 100           | 100                     | 100                        |
| End of discharge voltage [V] | 44.8  |               |                         |                            |
| Product dimension [W*D*H]    | 442*400*133   | 442*450*175   | 442*520*175             | 442*450*175<br>442*450*175 |
| Product weight [Kg]          | 28  | 51            | 62                      | 101.5                      |
| Protection class             | IP20  |               |                         |                            |
| Operating humidity           | 0-95 %RH (No condensing)  |               |                         |                            |
| Operating temperature range  | Charge: 0 ~ +50 °C  |               | Discharge: -20 ~ +55 °C |                            |
| Communication interface      | RS232, RS485, CAN   |               |                         |                            |
| Cycle Life                   | >3500   |               |                         |                            |
| Protection                   | Over voltage (cell, system) , Low voltage (cell, system), Over current, Over Temperature(cell, BMS, ambient), Low Temperature (cell, ambient) Short circuit |               |                         |                            |
| Certification                | UN38.3, CE  |               |                         |                            |
| Parallel Support             | Yes, Max. 16 Sets   |               |                         |                            |
| Optional Accessories         | LCD Display, Gyroscope anti-theft, SNMP   |               |                         |                            |

# 48V

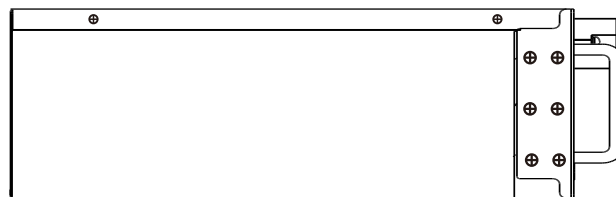
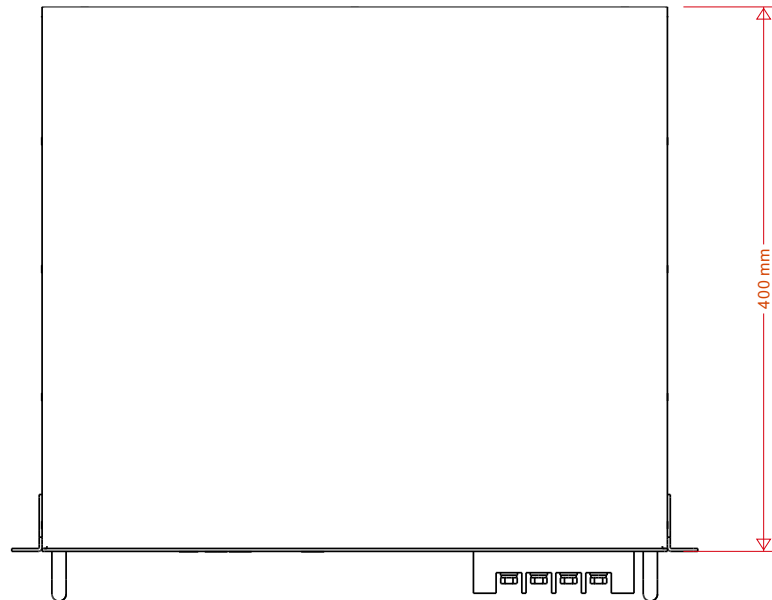
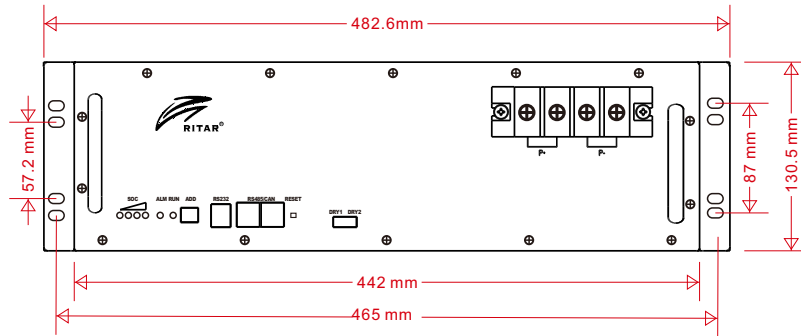
## RACK MOUNTED LI-ION BATTERY

### Specification

| Model                        | R-LFP48V50Ah  | R-LFP48V100Ah | R-LFP48V150Ah           | R-LFP48V200Ah              |
|------------------------------|---|---------------|-------------------------|----------------------------|
| Part Number                  | 8110480005001   | 8110480010001 | 8110480015001           | 8110480020001              |
| Nominal voltage [V]          | 48  |               |                         |                            |
| Nominal capacity [Ah]        | 50  | 100           | 150                     | 200                        |
| Total energy [KWh]           | 2.40  | 4.80          | 7.20                    | 9.60                       |
| Max. charging current [A]    | 50  | 100           | 100                     | 100                        |
| Charging voltage [V]         | 51.8~54.7   |               |                         |                            |
| Max. discharging current [A] | 100   | 100           | 100                     | 100                        |
| End of discharge voltage [V] | 42  |               |                         |                            |
| Product dimension [W*D*H]    | 442*400*133   | 442*450*175   | 442*520*175             | 442*450*175<br>442*450*175 |
| Product weight [Kg]          | 26.7  | 48            | 60                      | 95.5                       |
| Protection class             | IP20  |               |                         |                            |
| Operating humidity           | 0-95 %RH (No condensing)  |               |                         |                            |
| Operating temperature range  | Charge: 0 ~ +50 °C  |               | Discharge: -20 ~ +55 °C |                            |
| Communication interface      | RS232, RS485, CAN   |               |                         |                            |
| Cycle Life                   | >3500   |               |                         |                            |
| Protection                   | Over voltage (cell, system) , Low voltage (cell, system), Over current, Over Temperature(cell, BMS, ambient), Low Temperature (cell, ambient) Short circuit |               |                         |                            |
| Certification                | UN38.3, CE  |               |                         |                            |
| Parallel Support             | Yes, Max. 16 Sets   |               |                         |                            |
| Optional Accessories         | LCD Display, Gyroscope anti-theft, SNMP   |               |                         |                            |

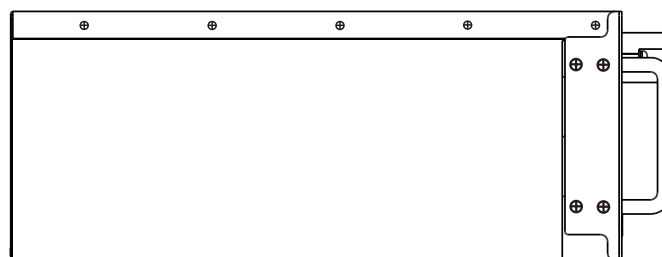
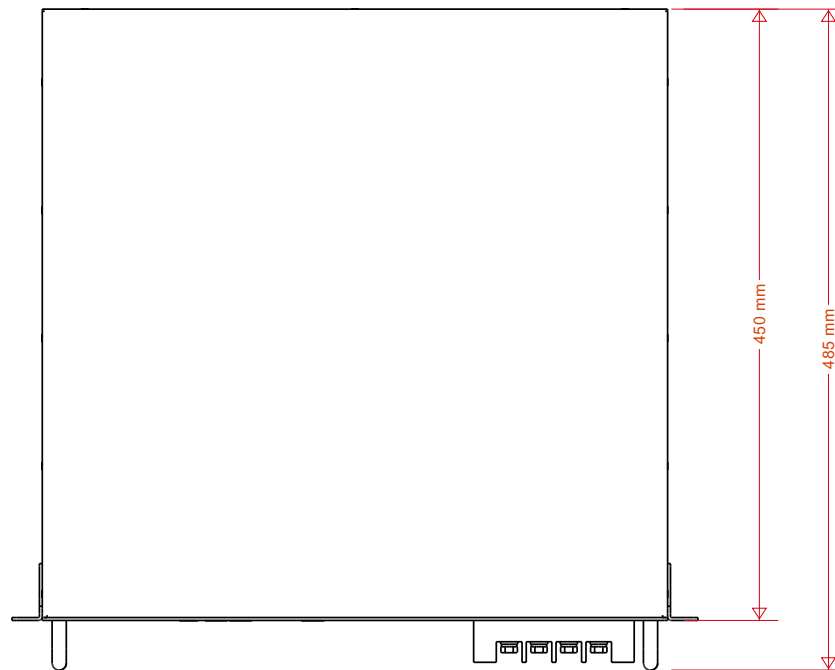
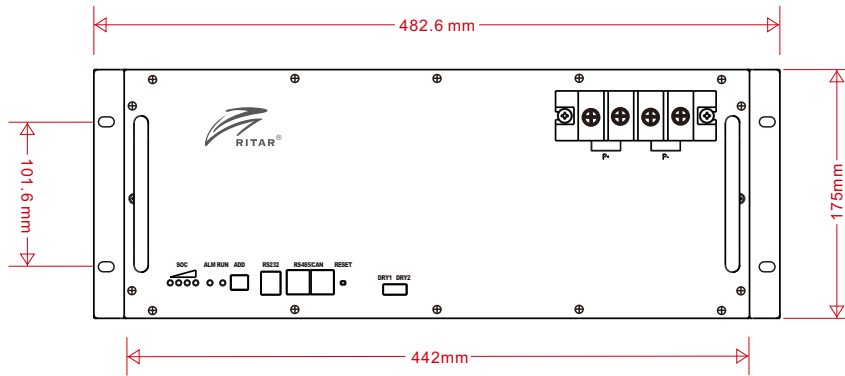
# R-LFP48V50Ah Dimension

Part Number: 8110512005001  
8110480005001



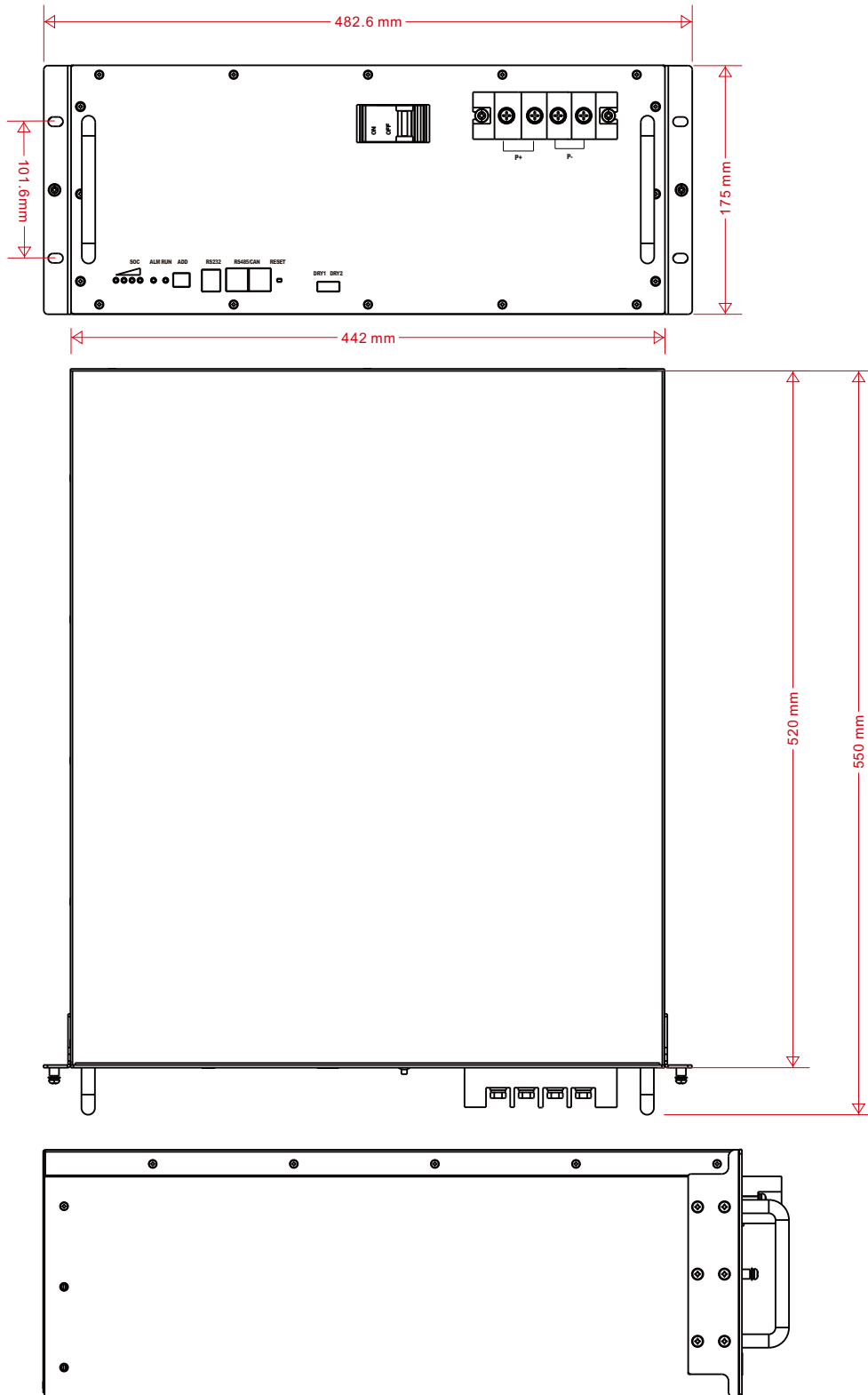
## R-LFP48V100Ah Dimension

Part Number: 8110512010001  
8110480010001



## R-LFP48V150Ah Dimension

Part Number: 8110512015001  
8110480015001



The datasheet is subject to change without prior notification

For more information, contact with: [sales@ritarpower.com](mailto:sales@ritarpower.com)

# R-LFP48V200Ah Dimension

Part Number: 8110512020001  
8110480020001

